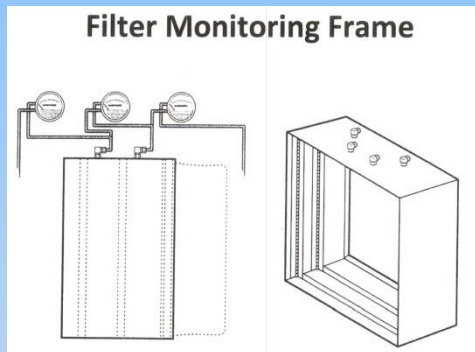


# HEPA QUALITY FILTRATION FOR CHROMIUM BASED PAINT

**AJ Dralle filtration products – HEPA quality filters for a fraction of a cost!**



*Utilizing 3 step filtration system*



*Further efficiencies and cost reductions can be achieved by using our HEPA XFP active monitoring system*

**Give us the opportunity to analyze your filtration needs and we can send you a competitive quote for comparison!**

**DISTRIBUTED BY ACROPOLIS AVIATION INC., AUTHORIZED DISTRIBUTOR FOR THE SOUTHERN UNITED STATES**

**E-MAIL: SALES@ACROPOLISAVIATION.NET • PHONE: 561 988 2226 • CELL: 561 558 4980**